

Tiles

Scallop



Scallop | Frosted Black

Our Scallop Tiles are a playful and bold take on traditional wood shingles. Designed to have a 3D layered look to add depth to your space.

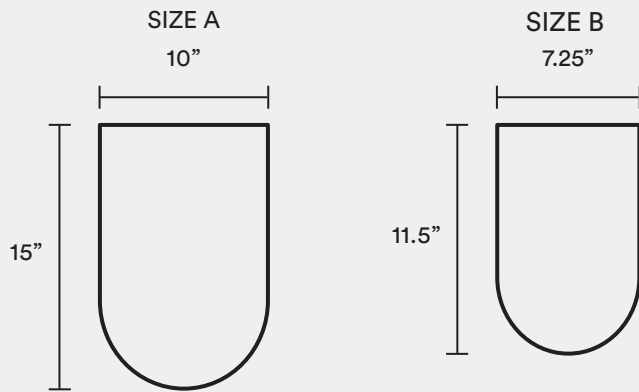
Leather wall tiles add unique material warmth to any space and are easy to install and care for. They have the ability to increase sound dampening when applied to walls and make for tactile inlay on cabinets or table tops. All of our tiles are made from heavy weight leather that we dye by hand.



Scallop | Frosted Pearl

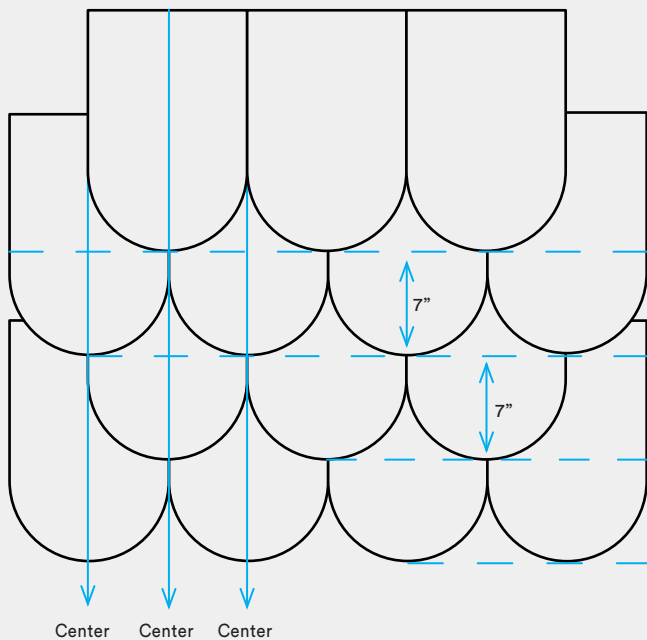
Tiles Scallop

TILE MEASUREMENTS

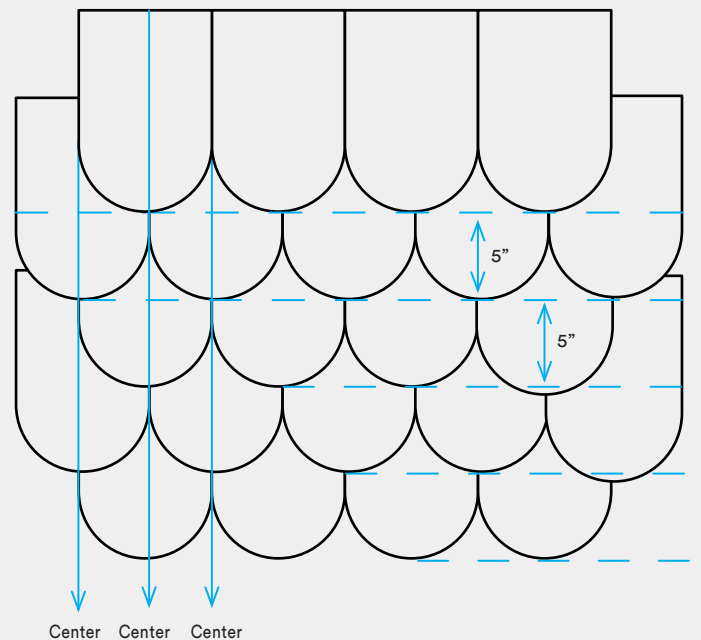


LAYOUT SUGGESTIONS

Layout A Spacing for 10"x15" tile only



Layout B Spacing for 7.25"x11.5" tile only



Tiles

Scallop



Pattern	Scallop.
Material	Solid hand dyed cowhide leather.
Leather Type	Smooth and compact grain leather.
Finish	Satin-sheen, finished with protective water resistant coating.
Weight	7 - 8 oz.
Primary Uses	Indoor wall, surface inlay, headboards. Indoor residential and commercial.
Installation	Overlapping tile. Construction adhesive. *Inquire for full installation guidelines.
Acclimation	Tiles should have a minimum of 1 - 2 weeks to acclimate to the area before installation.
Benefits	Sound dampening and luxurious. Leather wall tiles add unique material warmth to any space and are easy to install and care for.
Minimum Order	50 sq ft. (4.6 sq m.).
Pricing	Sold by the square foot. Comes as individual tiles.
Size	A: 10" x 15" (25.4 cm x 38.1 cm) / B: 7.25" x 11.5" (18.415 cm x 29.21 cm) *Custom sizes available.
Sample Size*	4" x 7" (10.16 cm x 17.78 cm) *Purchase on product page: www.avoavo.com
Ordering	Orders require a 50% deposit. All inquiries can be made to inquire@avoavo.com .
Trade Account	We offer a trade discount to interior designers and architects. Please contact us for a quote.
Lead Time	8 - 10 weeks.
Care	For regular care and dusting, tiles can be wiped with a soft dry cloth. If a stain occurs, blot immediately with a clean damp absorbent cloth/sponge. Do not wipe or scrub. Avoid any direct heat on the leather, let air-dry. Occasional use of leather cleaners or conditioners is acceptable if needed, but should be spot tested first as each product may affect the tiles differently.
Customization	Size, color and configurations can be customized. See our color library for reference: www.avoavo.com/color .
Variations	Leather is a natural product that we dye by hand. Each hide is unique and lots made at different times may vary slightly in color. Avoid exposure to direct sunlight as it might change or fade the color of your leather.
Testing	Flame retardant available on request.
Manufacture	Hand dyed in Brooklyn. Made in the United States.